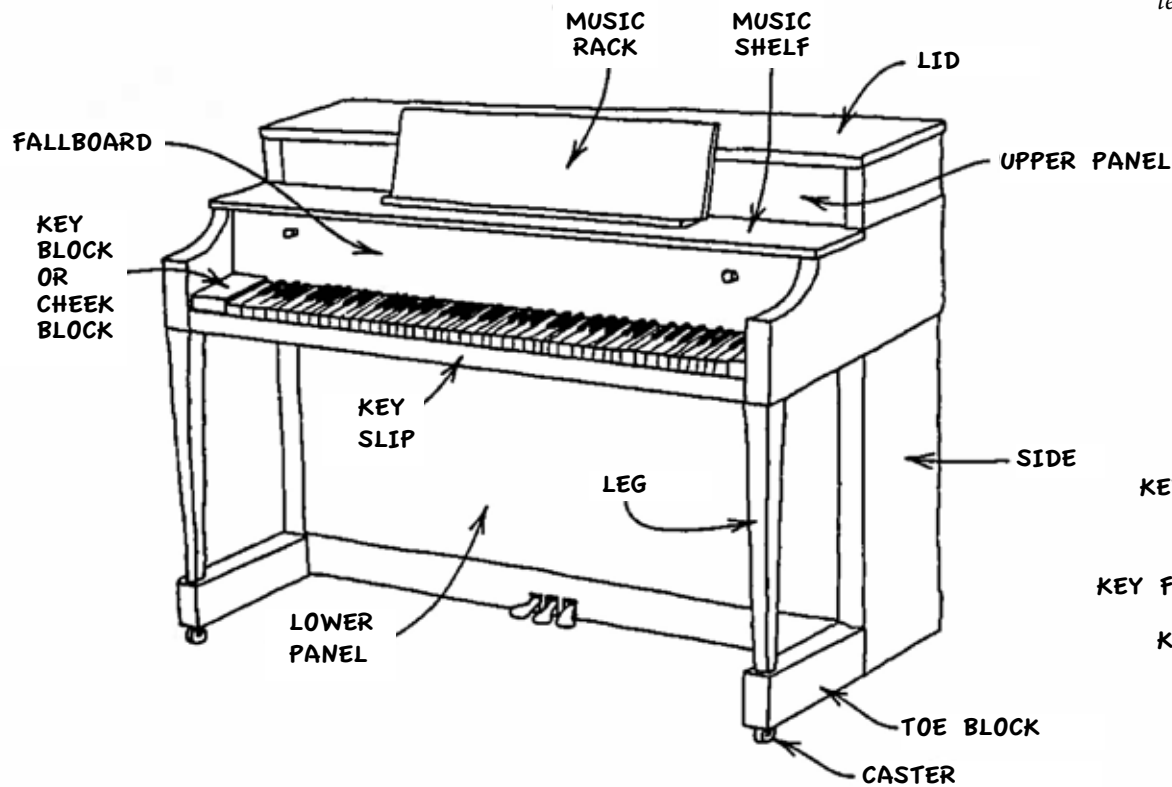
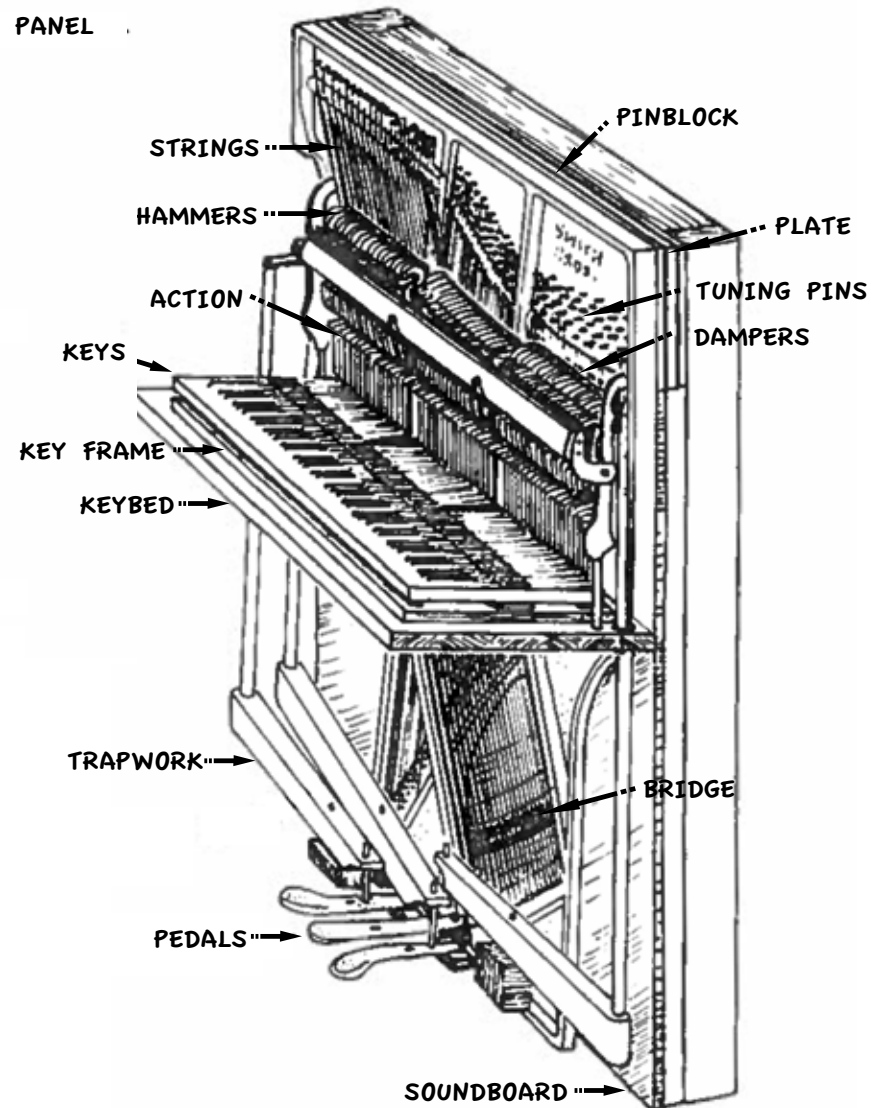


VERTICAL PIANO DIAGRAM



Visit www.ptg.org and click on Learning Center, or call the Piano Technicians Guild at (913) 432-9975 to find more learning resources for teachers, students and parents.

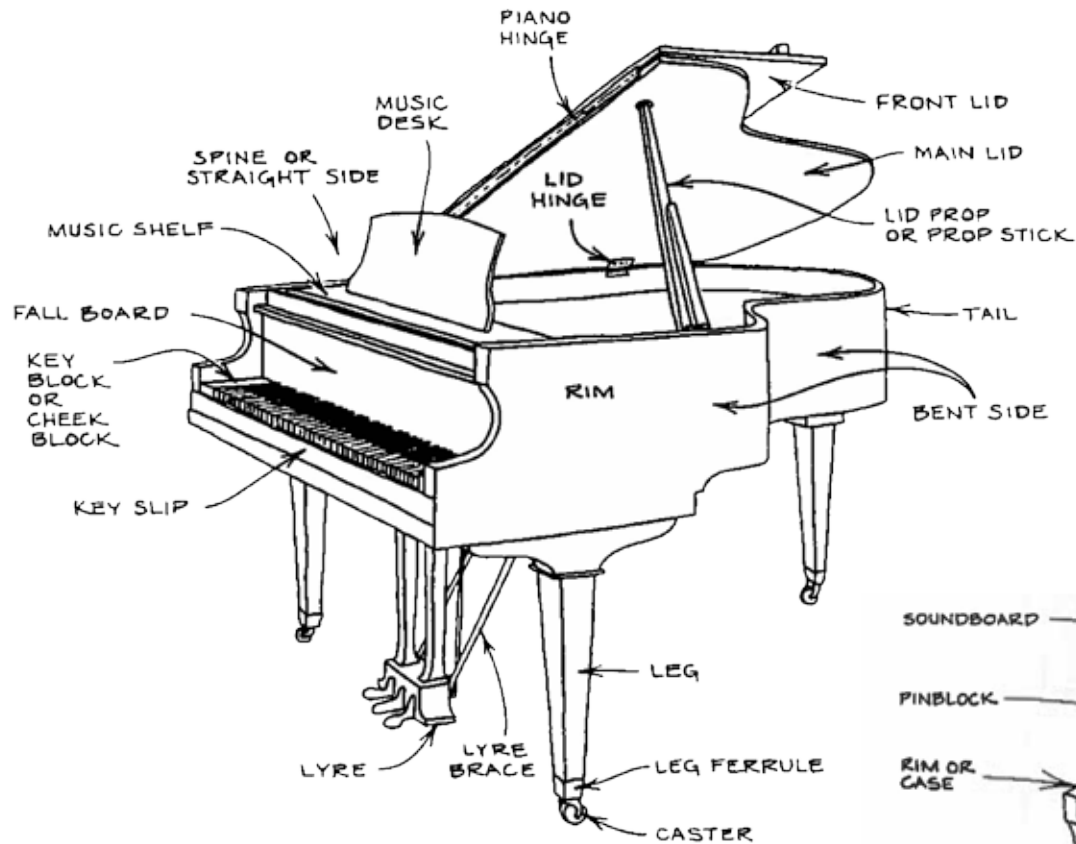


Interesting Vertical Piano Facts

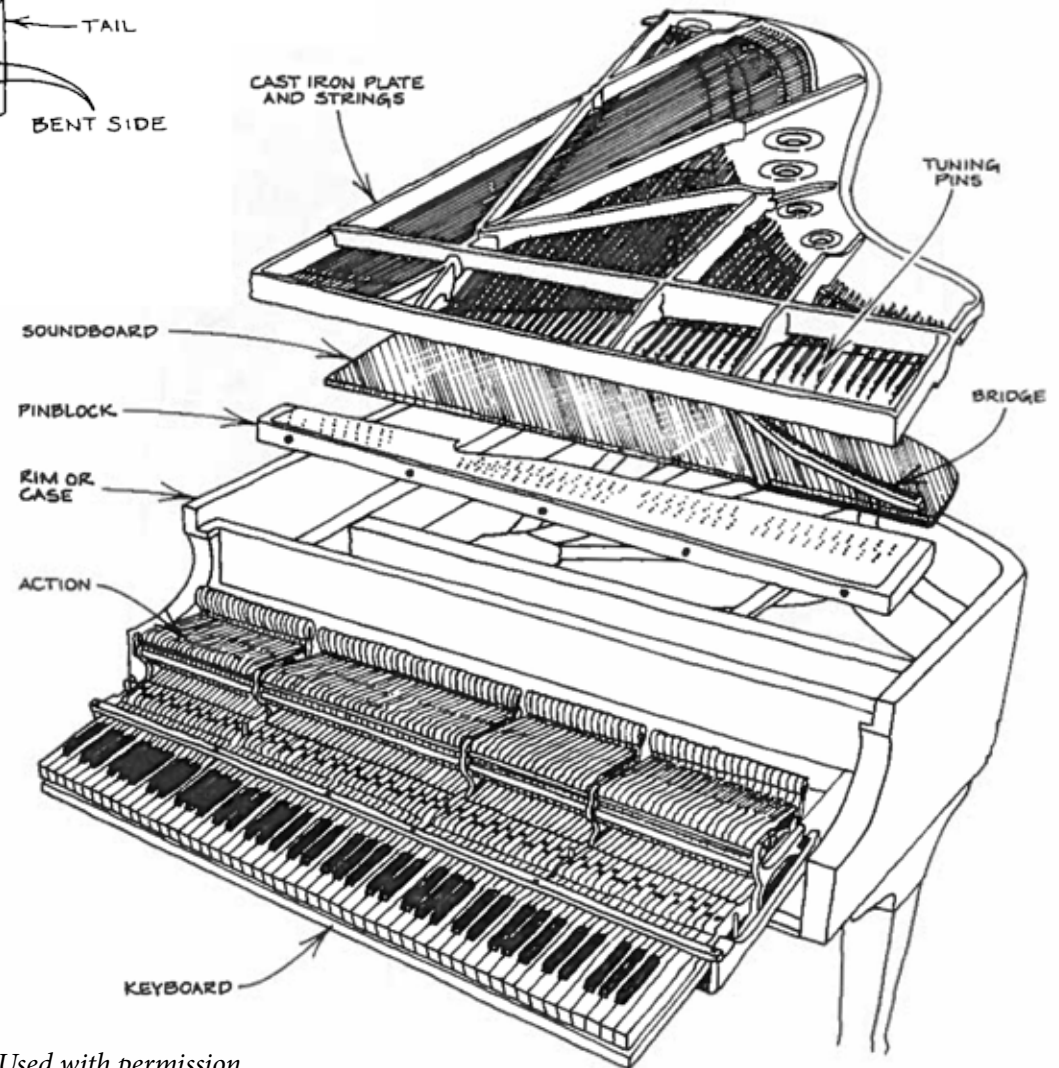
- Vertical pianos get their name from the fact that the frame and strings run up-and-down, or vertically. Vertical pianos may also be called upright pianos.
- Vertical pianos are measured by their height from the floor to the top of the piano. The shortest piano is called a spinet, then comes a console, a studio, and then a full-size or professional upright.
- The first vertical pianos to be manufactured were arranged like a grand piano set on its end.
- All vertical pianos have two pedals: a soft (*una corda*) pedal and a sustaining (damper) pedal, but some also have a third pedal called a practice pedal that mutes the sound volume by about fifty percent.

Image source: "The Piano Book" by Larry Fine, RPT. www.pianobuyer.com. Used with permission.

GRAND PIANO DIAGRAM



Visit www.ptg.org and click on Learning Center, or call the Piano Technicians Guild at (913) 432-9975 to find more learning resources for teachers, students and parents.



Interesting Grand Piano Facts

- A typical grand piano may have over 10,000 parts.
- A grand piano action is faster than a vertical action because of the repetition lever. It lets you play a note again when the key is only half way up instead of waiting for it to come all the way up like you would on a vertical piano.
- Grand pianos can range in length from 5 1/2 ft. to over 9 ft. long.
- Unlike a vertical piano, most of the internal parts of a grand piano Small items such as pencils, paper clips, and coins can cause very annoying sounds or get wedged in the action. Extra care must be taken to keep small parts from falling inside.

Image source: "The Piano Book" by Larry Fine, RPT. www.pianobuyer.com. Used with permission.

Label the parts on these grand piano diagrams.

Student name: _____

